

OpalStorage

Supplementary Reposit Installation Guide

Items needed



Reposit Box



Power Supply



Reposit Meter



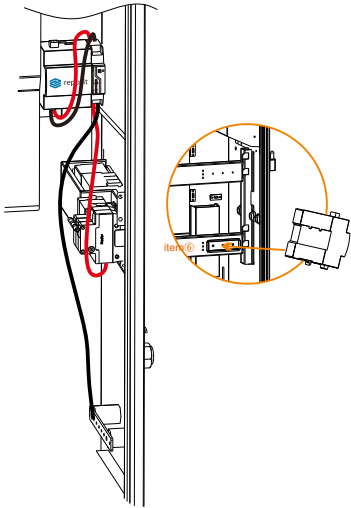
Ethernet Dongle



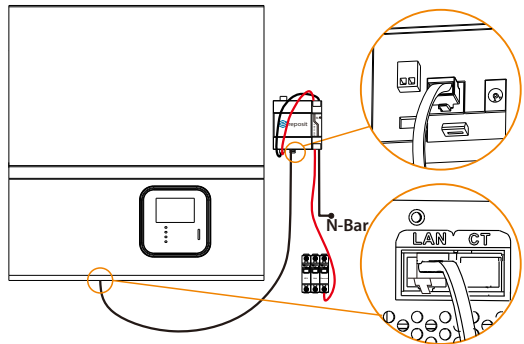
Wi-Fi Dongle

Inverter Connection

- Install Reposit Box and Power Supply on the rail.



- Prepare a Cat-5e RJ45 cable.
- Insert one side of the cable into the port on the bottom of Reposit Box.
- Insert the other side of the cable into "LAN" port on the SK-TL.



*Note: Please refer to Reposit Installation Manual in **Reposit packaging** for detailed Reposit Box installation and system wiring.

Internet Connection

- For accessing internet through wired connection, connect the **Ethernet Dongle** to the USB port on the top of Reposit Box. Connect a Cat-5e network cable from the Ethernet dongle to the household internet access (i.e. router) through "LAN" gland.

- For accessing internet through Wi-Fi, connect the **Wi-Fi Dongle** to the USB port on the top of Reposit Box. Connect the Wi-Fi antenna through the "WIFI" gland as shown in section VIII (referring to 'Opal Storage Quick Installation Guide').

*Note: If using Wi-Fi method, the tube side of the Wi-Fi connector has to be connected to the Reposit Wi-Fi dongle.

Meter Connection

- Connect the RS485 cable to the **Reposit Meter(s)** through the "Meter" gland. Connect this to the 3-pin ABG connector on top of the Reposit Box.